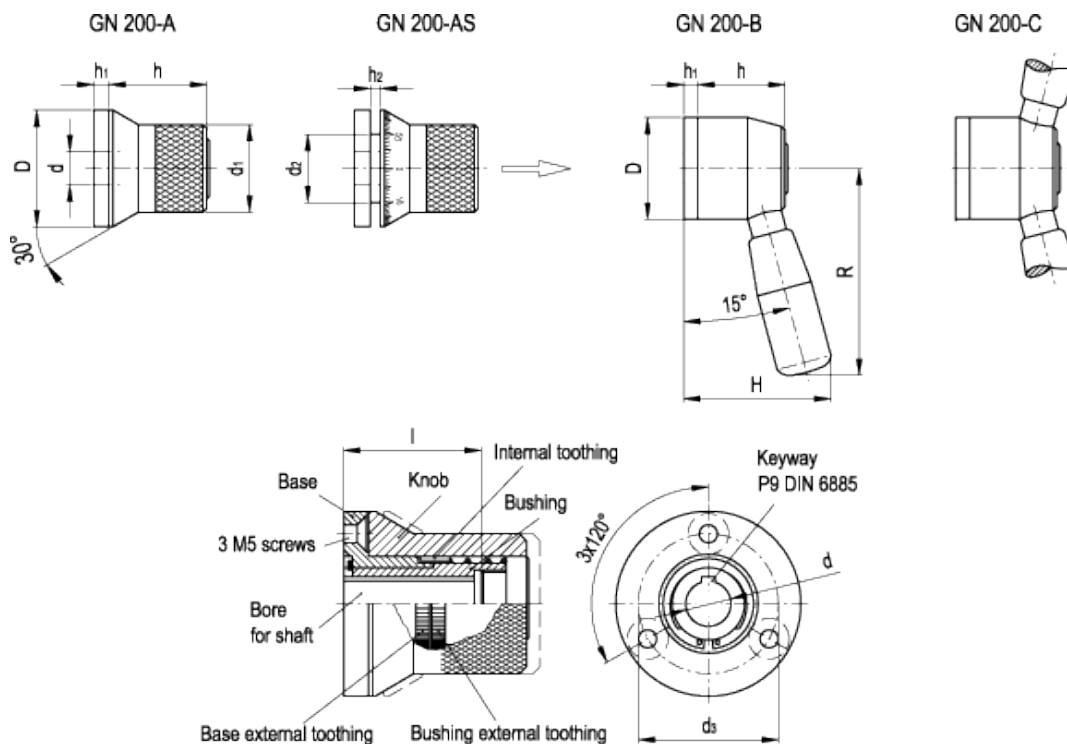


GN 200

Indexing mechanisms with stop and positioning device



technical informations

Knob

Black-oxide steel.

- Execution A: knurled surface.
- Execution AS: matte chrome-plated steel external body with laser-engraved precision flange (scale 0 ...50, 60 [graduations](#)).
- Execution B: smooth surface, with lever arm and cylindrical handle type [1.280](#) in phenolic based (PF) Duroplast, black colour, glossy finish. Resistant to solvents, oils, greases and other chemical agents.
- Execution C: indexing mechanisms with two arms.

Base

Black-oxide steel. Assembly by means of three holes for M5 countersunk head screws.

Assembly

Steel bushing. H7 reamed hole and keyway in compliance with [DIN 6885/1 P9 tolerance](#) for dimension K10 and in compliance with [DIN 6885/2 P9 tolerance](#) for dimension K14. Assembly to the spindle by means of a keyway or a transversal pin.

Features and instructions

The knob encloses a small mechanism which allows small rotation movements (6° or multiples) and the resulting movement and positioning of machine parts.

In rest position, the internal tothing of the knob (60 teeth) is connected simultaneously to the external tothing of the base (fixed) and to the tothing of the bushing (attached to the spindle).

To move the spindle, the knob must be disengaged from the base tothing by pulling or lifting it, applying a force against the spring in the direction of the axis. The external tothing keeps the connection between the knob and the spindle during rotation.

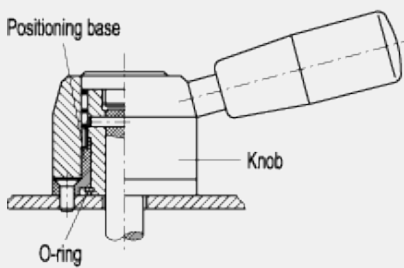
60 teeth provide 2, 3, 4, 5, 6, 10, 12, 15, 20 and 30 precise divisions.

If high torque is required to turn the spindle, problems may arise when engaging and releasing the tothing due to the limited clearance of the walls or the friction of the teeth. In this case, it is recommended to use [GN 215](#) indexing levers.

Types of mounting

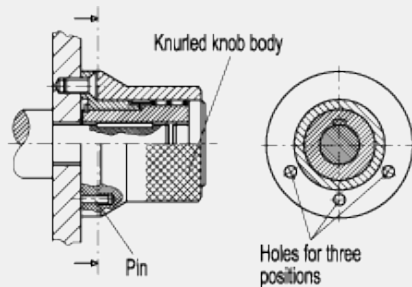
GN 200 indexing mechanisms with stop and positioning device can be built also to perform a spindle rotation and a lock of it in a given number of positions. For this purpose, a projecting pin inserted into the base allows the tothing to be re-engaged only when the pin is in contact with the corresponding holes in the knob (example 2).

The hole can also be drilled with a certain clearance since the main function of the pin is to stop the movement, while the lock is provided by the tothing engagement.



Example 1

The shaft is connected to the bushing with a pin. The base keeps the system in position by means of screws and a O-ring.



Example 2

The shaft is connected to the bushing by means of a keyway. The mechanism is locked in one of the 3 positions when the pin fits one of the 3 holes in the knob.



Special execution with graduations example

Standard Elements	Main dimensions									Mounting hole		Weight g
	Description	D	R	H	h	h ₁	h ₂	d ₁	d ₂	d ₃	d _{H7}	
GN 200-44-K10-A	44	-	-	37	6	4	33	23	33	10	31	309
GN 200-44-K10-AS	44	-	-	37	6	4	33	23	33	10	31	309
GN 200-44-K10-B	44	94	63	37	6	4	-	23	33	10	31	494
GN 200-44-K10-C	44	94	63	37	6	4	-	23	33	10	31	550
GN 200-44-K12-A	44	-	-	37	6	4	33	23	33	12	31	300
GN 200-44-K12-AS	44	-	-	37	6	4	33	23	33	12	31	300
GN 200-44-K12-B	44	94	63	37	6	4	-	23	33	12	31	485
GN 200-44-K12-C	44	94	63	37	6	4	-	23	33	12	31	550
GN 200-52-K12-A	52	-	-	37.5	6	4	42	31.5	41.8	12	31.5	478
GN 200-52-K12-AS	52	-	-	37.5	6	4	42	31.5	41.8	12	31.5	478

GN 200-52-K12-B	52	94	63	37.5	6	4	-	31.5	41.8	12	31.5	697
GN 200-52-K12-C	52	94	63	37.5	6	4	-	31.5	41.8	12	31.5	760
GN 200-52-K14-A	52	-	-	37.5	6	4	42	31.5	41.8	14	31.5	467
GN 200-52-K14-AS	52	-	-	37.5	6	4	42	31.5	41.8	14	31.5	467
GN 200-52-K14-B	52	112	71	37.5	6	4	-	31.5	41.8	14	31.5	686
GN 200-52-K14-C	52	112	71	37.5	6	4	-	31.5	41.8	14	31.5	760
GN 200-52-K16-A	52	-	-	37.5	6	4	42	31.5	41.8	16	31.5	455
GN 200-52-K16-AS	52	-	-	37.5	6	4	42	31.5	41.8	16	31.5	455
GN 200-52-K16-B	52	112	71	37.5	6	4	-	31.5	41.8	16	31.5	674
GN 200-52-K16-C	52	112	71	37.5	6	4	-	31.5	41.8	16	31.5	760



ELESA and GANTER models all rights reserved in accordance with the law. Always mention the source when reproducing our drawings.

STANDARD MACHINE ELEMENTS WORLDWIDE